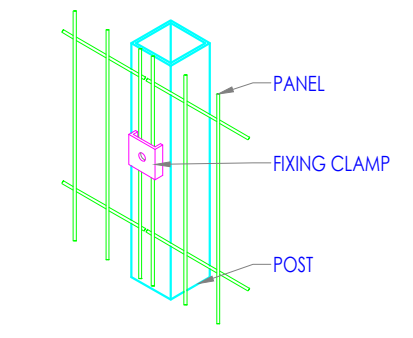
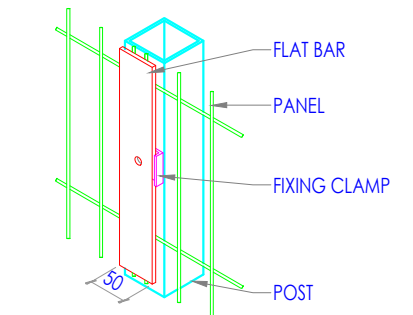


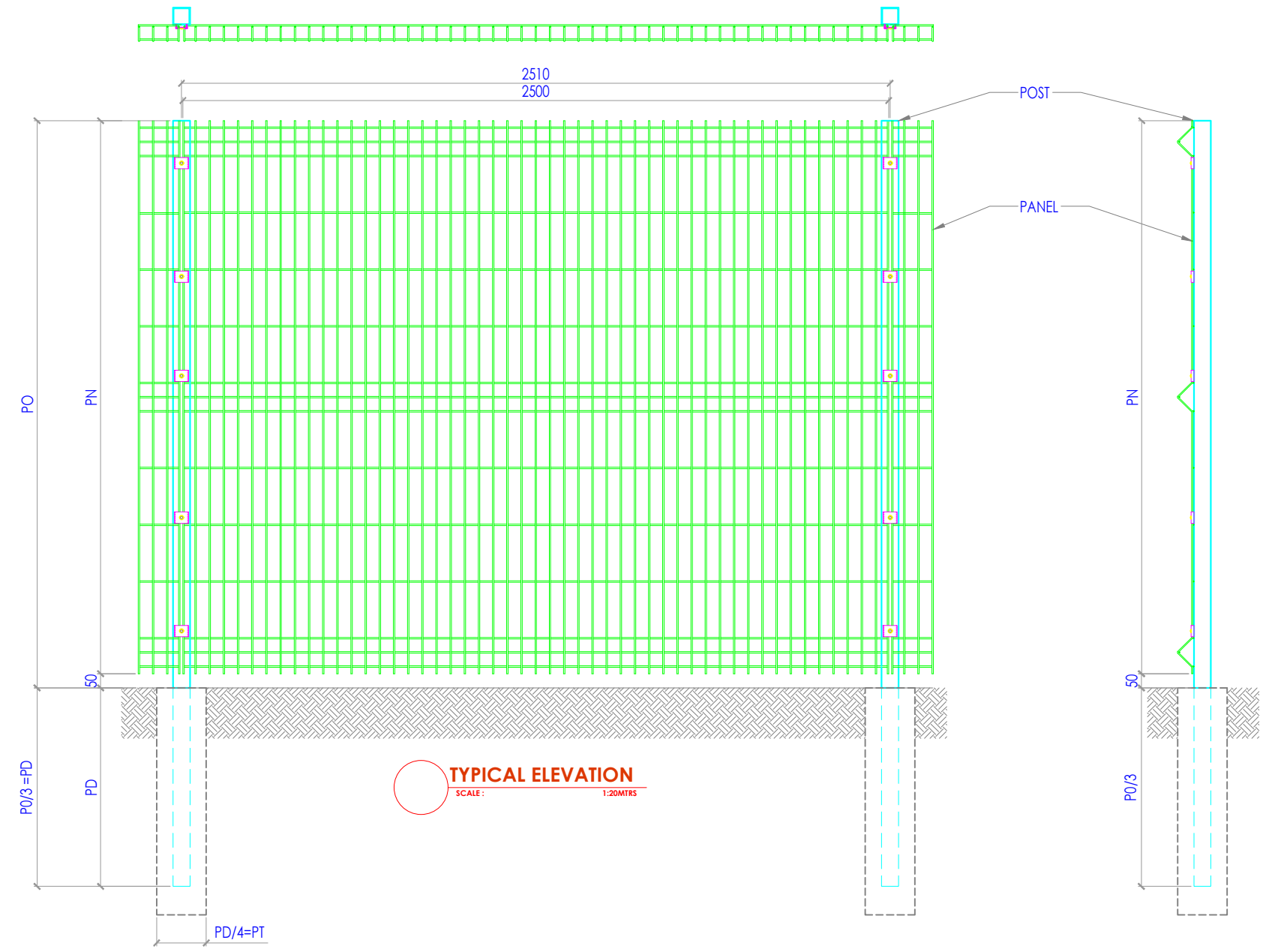
FIXING CLAMP DETAIL
OPTION 2



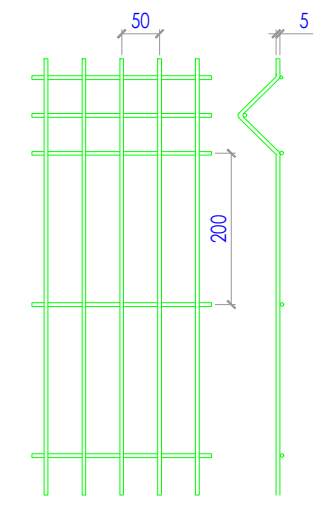
ISOMETRIC VIEW
OPTION 1



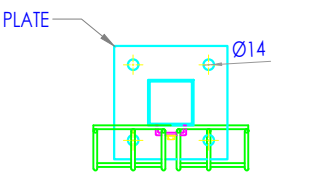
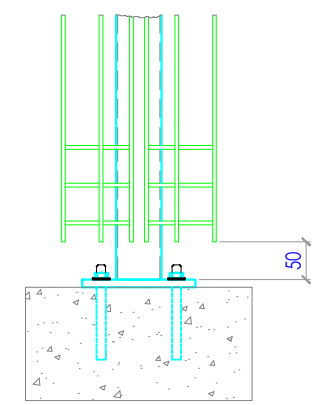
ISOMETRIC VIEW
OPTION 2



TYPICAL ELEVATION
SCALE: 1:20MTRS



MESH DETAIL
SCALE: 1:10MTRS



BASE PLATED
OPTIONAL

NOTE:

1. ALL DIMENSIONS ARE IN MILLIMETERS UNLESS OTHERWISE NOTED.

FINISH:

- HOT DIP GALVANIZED TO BS EN ISO 1461
- HOT DIP GALVANIZED AND POWDER COATED TO BS EN 13438
- MARINE COAT FOR INSTALLATIONS WITHIN 500M OF SALT WATER OR AN ESTUARY

MATERIAL LIST:

ITEM CODE	POST HEIGHTS (PO)	PANEL HEIGHTS (PN)	POST SIZES	WIRE DIA	MESH OPENING	POST BASE PLATED	POST EMBEDDED IN GROUND
H3D50100	1000 mm	1x950 mm	50x50x2 mm	5 mm	50x200 mm	✓	✓
H3D50150	1500 mm	1x1450 mm	50x50x2 mm	5 mm	50x200 mm	✓	✓
H3D502000	2000 mm	1x1950 mm	60x60x2 mm	5 mm	50x200 mm	✓	✓
H3D502400	2450 mm	1x950 mm 1x1450 mm	60x60x2 mm	5 mm	50x200 mm	✓	✓
H3D502900	2950 mm	2x1450 mm	60x60x2 mm	5 mm	50x200 mm	✓	✓
H3D503900	3950 mm	2x1950 mm	50x100x2 mm	5 mm	50x200 mm	✓	✓
H3D505850	5900 mm	3x1950 mm	50x100x2 mm	5 mm	50x200 mm	✓	✓

SUPPLIER:

EXIT 13 AL KHARJ ROAD 2ND INDUSTRIAL AREA RIYADH
PO BOX 325752 RIYADH 11371
TEL. NO.: 011 208 007 FAX NO.: 011 291 4419

DESIGNED BY: MJI
DRAWING TITLE: GENERIC HIWELD 3D50
DRAWN BY: RAMEEZ
DRAWING NO.: HIWELD -3D50 - 000
CHECKED BY: ADT
APPROVED BY: MJI

CLIENT:

HITECH 3D50

PAPER SIZE: A3
SHEET NO.: 01
REV. NO.: A
SCALE: AS SHOWN
DATE: 26-04-2022